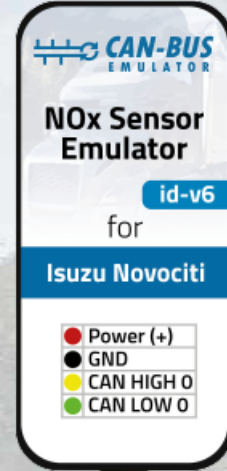


KULLANIM KILAVUZU

TEREX ADBLUE EMÜLATÖR KURULUMU

EURO 6



 www.canbusemulator.com

 +90 530 937 46 36

 [erenakarsubasi](https://t.me/erenakarsubasi)

TEREX Euro 6 Adblue Emülatör Kurulum

C4022 soketi adblue tankının hemen altında , C7 soketi olarak göreceksiniz. C7 soketini çıkartıp, boşta bırakacaksınız.

Emulator montajı:

Emulator Kırmızı kablo-----Soket pin 1

Emulator Siyah kablo-----Soket pin 2

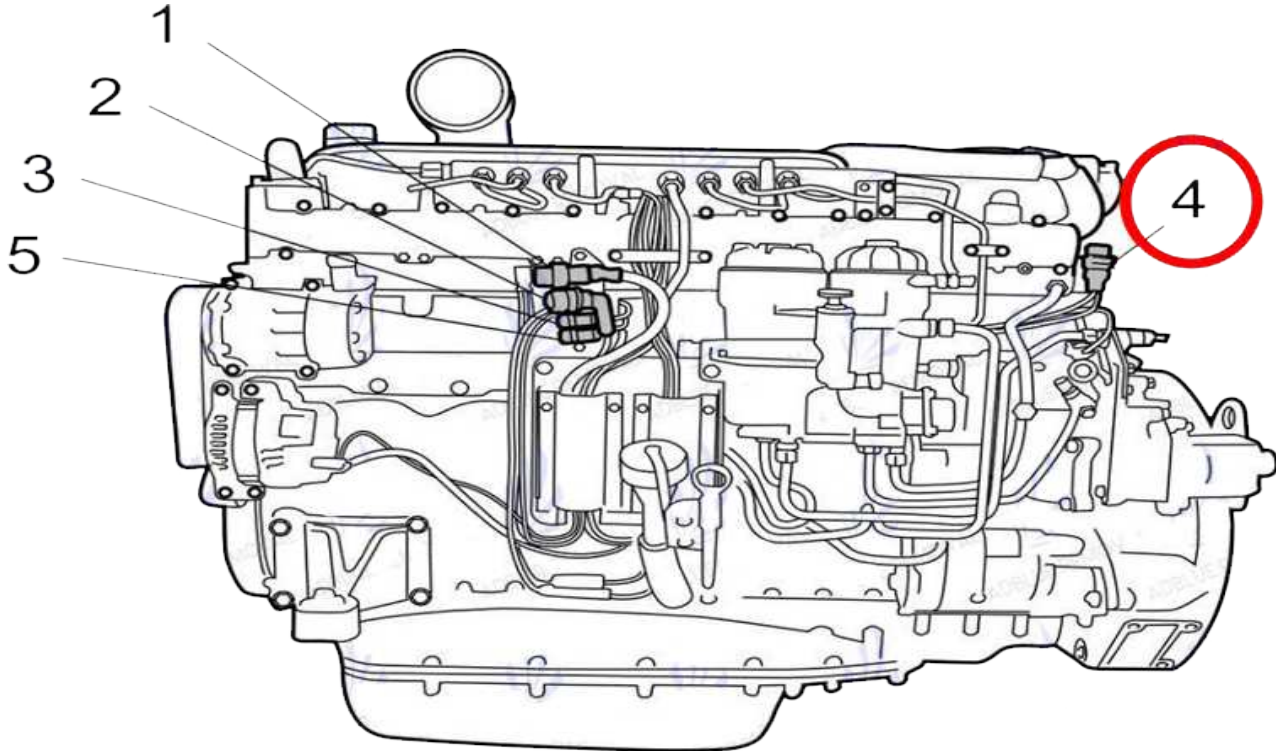
Emulator Beyaz kablo(CAN H)-----Soket pin 6

Emulator Kahverengi kablo(CAN L)---Soket pin 7

NOT:Extra kablo kullanarak, kabin içersine montaj yapmanızı tavsiye ederiz.

Industrial engines

	Connector	Interface	Note
1	C4001	Customer interface to engine control unit.	
2	C4000	Diagnostics.	
3	C4002	Voltage to SCR-systems or EGR systems as well as exhaust brake actuator, if present.	Engines with SCR systems or EGR systems only.
3	C4094	Voltage to ignition coils and throttle actuator at gas mixer.	Gas engines only.
4	C4022	SCR system, cable harness supplied with the engine.	Only engines with SCR systems.
5	C4071	Voltage to variable geometry turbocharger and warning lamps for the SCR system.	Only engines with both SCR and EGR systems.



DC09, DC13

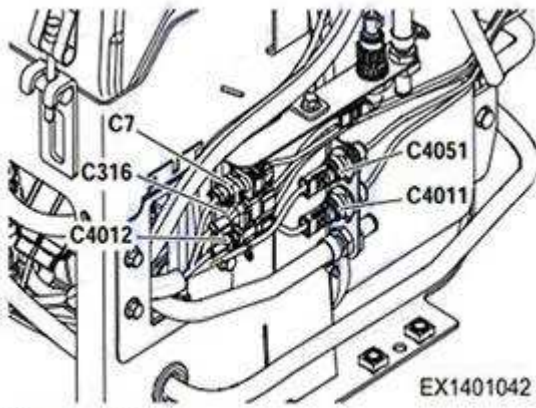


Figure 699

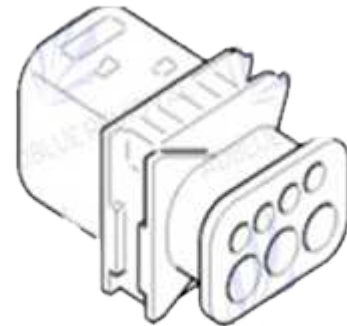


Figure 697

WL1400045

Connection

Pin	Signal	Source/Destination	
1	U30 Voltage to the SCR Control Unit	E67, pin A-3	M1/P3
2	Ground	E67, pin A-4	G4000
3	Not Used		
4	Not Used		
5	U15 Voltage to the SCR Control Unit	E67, pin A-12	C4002, pin 1
6	CAN Signal High	E67, pin A-22	E44, pin B4-7
7	CAN Signal Low	E67, pin A-19	E44, pin B4-8

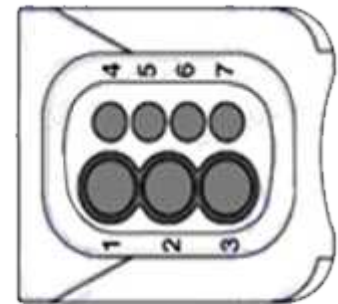
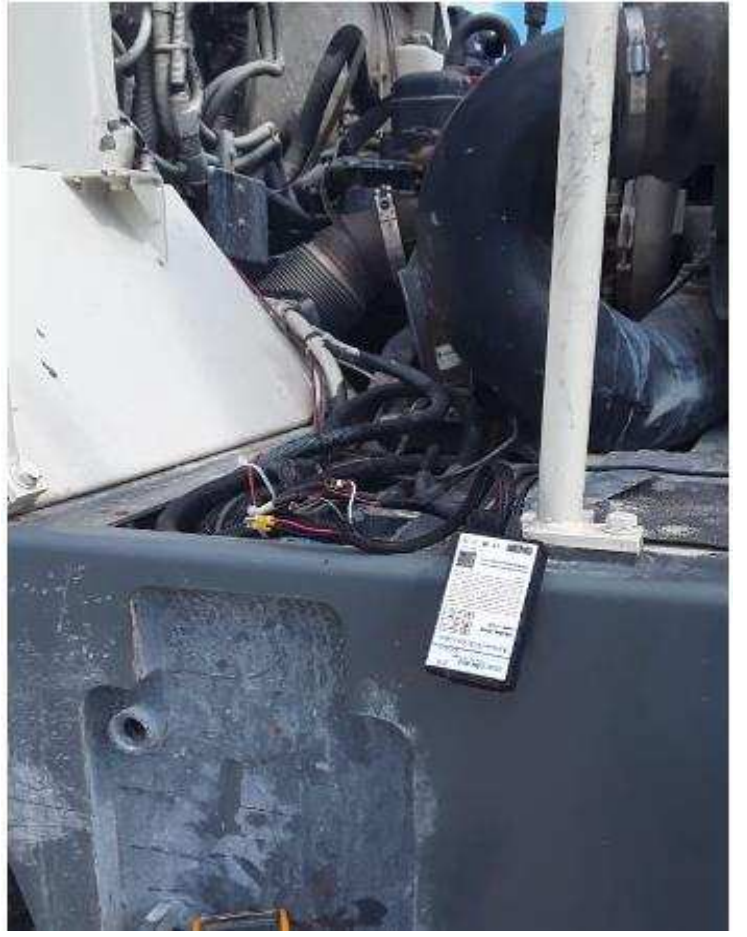


Figure 698

WL1400042

Location



Adblue iptal emülatörü montajından sonra DPF'yi kesinlikle iptal etmeniz gerekmektedir!