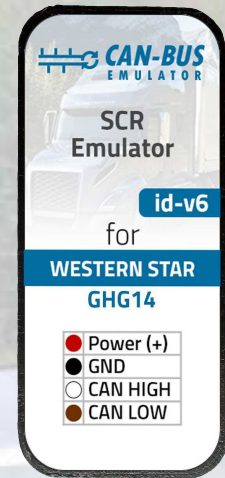




USER MANUAL

WESTERN STAR GHG14 ADBLUE EMULATOR INSTALLATION

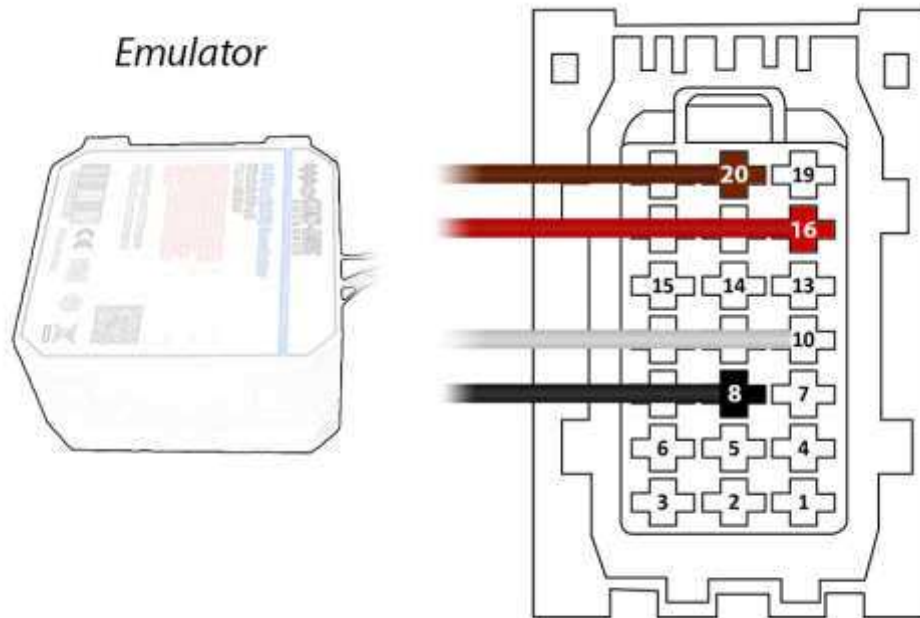


 www.canbusemulator.com

 +90 530 937 46 36

 [erenakarsubasi](https://t.me/erenakarsubasi)

WESTERN STAR GHG14 ADBLUE EMULATOR INSTALLATION



- Brown (Emulator side) > Pin20 on the socket side
- Red (Emulator side) > Pin16 on the socket side
- White (Emulator side) > Pin10 on the socket side
- Black (Emulator side) > Pin8 on the socket side

After the operation, the socket must be left unplugged or the socket can be plugged in by disconnecting Pin16 and connecting the Red cable to the vehicle side of the simulator.

After the installation of the Adblue canceling emulator, you must remove the DPF