


USER MANUAL

WESTERN STAR GHG10 ADBLUE EMULATOR INSTALLATION

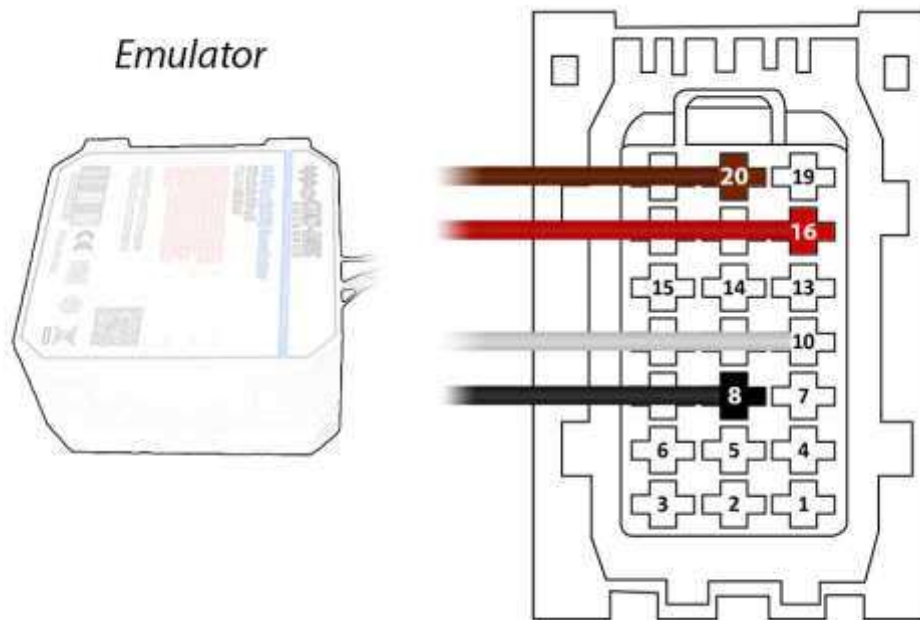


 www.canbusemulator.com

 +90 530 937 46 36

 [erenakarsubasi](https://t.me/erenakarsubasi)

WESTERN STAR ADBLUE EMULATOR INSTALLATION



Brown (Emulator side) > Pin20 on the socket side

Red (Emulator side) > Pin16 on the socket side

White (Emulator side) > Pin10 on the socket side

Black (Emulator side) > Pin8 on the socket side

After the operation, the socket must be left unplugged or the relevant SCR fuse must be pulled.

After the installation of the Adblue canceling emulator, you must remove the DPF.