

USER MANUAL

PERKINS 1204F-E44TA ADBLUE REMOVAL INSTALLATION



 www.canbusemulator.com

 +90 530 937 46 36

 [erenakarsubasi](https://t.me/erenakarsubasi)

PERKINS 1204F-E44TA ADBLUE REMOVAL INSTALLATION

-In PETU socket(1-1718324-1): (exhaust control module)

1.pin emulator green cable

2nd pin emulator brown cable

5.pin emulator yellow cable

6. pin emulator white cable

The 60th pin is connected to the black cable of the emulator.

-6 pin socket with gray inside(776434-2)-(8M14B0);(NOx sensor socket)

Emulator red cable is connected to pin 1.

-6 pin socket with red inside (776434-1) (1D13A0); (NOx sensor socket)

1st pin on nox socket with red inside blue cable

The pink wire will be connected to pin 4.

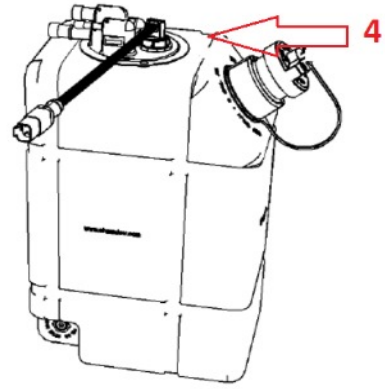
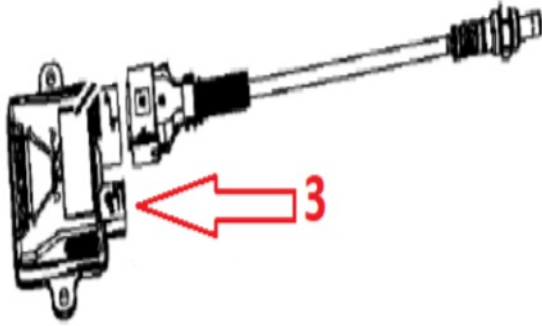
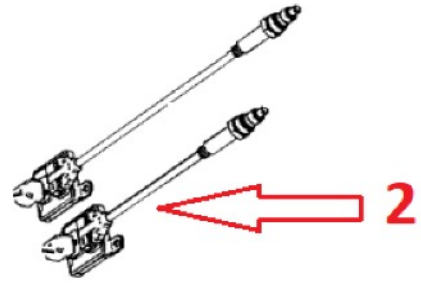
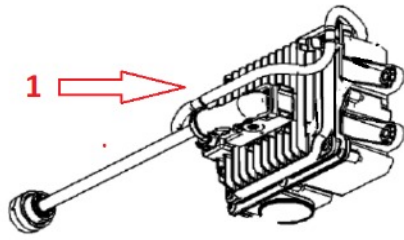
and you need remove the NOX sensor sockets, NH3 sensor socket, adblue level sensor socket, and ACM(afterment controlmodule)socket

1-PETU

2-NOx sensors module

3-NH3 sensors module

4-Adblue tank level/quality sensormodule



|